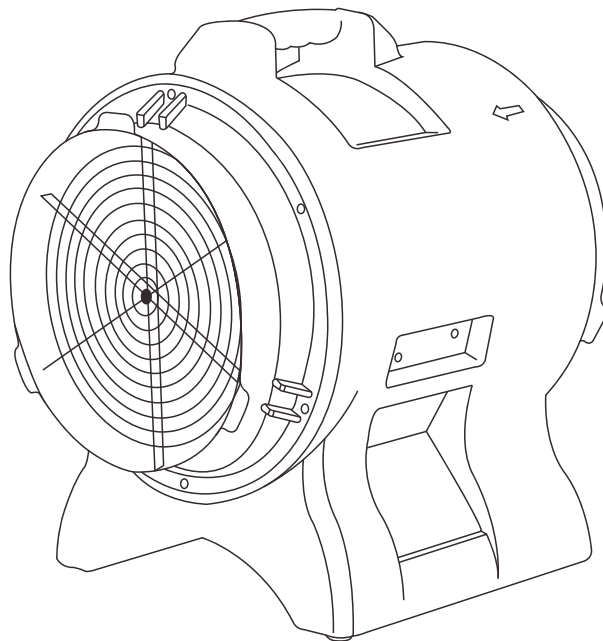


Owner's Manual 12" Ventilator



INSTRUCTION MANUAL

SAVE THESE INSTRUCTIONS FOR FUTURE REFERENCE

INSTRUCTIONS FOR OPERATION AND CARE

Your new fan comes to you completely assembled and ready to operate. We suggest that, upon removing the unit from its carton, you carefully inspect it for any possible damage in transit. When using the fans, note the directional airflow indicator on the external shell. This is the way the air moves.

Prior to plugging in, inspect inlet and outlet screen and remove debris which may restrict airflow movement. When used with duct.

A. Do not install duct when fan is in operation.

B. Place duct lip over duct adaptor, secure firmly, note direction of airflow.



*This appliance is not intended for use by persons (including children) with reduced physical, sensory or mental capabilities, or lack of experience and knowledge, unless they have been given supervision or instruction concerning use of the appliance by a person responsible for their safety.

*Children should be supervised to ensure that they do not play with the appliance.

*If the supply cord is damaged, it must be replaced by the manufacturer, its service agent or similarly qualified persons in order to avoid a hazard.

*Ensure that the fan is switched off from the supply mains before removing the guard.

WARNING - THIS APPLIANCE MUST BE EARTHED

The wire of this mains lead are coloured in accordance with the following code:

WHITE - NEUTRAL

BLACK - LIVE

GREEN - EARTH

As the colours of the wires in the mains lead of this appliance may not correspond with the coloured markings identifying the terminals in your plug proceed as follows:

The wire coloured black must be connected to the terminal marked with the letter - L - or coloured red.

The wire coloured white must be connected to the terminal marked with the letter - N - or coloured black.

The wire coloured green must be connected to the terminal marked with the letter - E - or (earth sign).

Ensure that your machine is connected correctly.

If you are in any doubt consult a qualified electrician.

This appliance must be protected by a 15A fuse either in the plug or adaptor or at the distribution board.

Certain job site locations are classified as being hazardous because the atmosphere may contain gas vapour or dust in explosive quantities.



DANGER

THE ELECTRIC MOTOR AND FAN HOUSING ARE NOT DESIGNED FOR OPERATION IN AN EXPLOSIVE AND/OR FLAMMABLE ATMOSPHERE OF ANY CLASS OR GROUP. OPERATION OF THE FAN IN AN EXPLOSIVE OR FLAMMABLE ATMOSPHERE MAY RESULT IN PROPERTY DAMAGE, PERSONAL INJURY OR EVEN DEATH.

THE FAN MUST NOT BE UTILISED BY ITSELF FOR PORTABLE AIR VENTILATION PURPOSES. SAFETY CAN ONLY BE ASSURED AFTER MAKING THOROUGH GAS DETECTION TESTS COMBINED WITH FAN VENTILATION AND CONTINUAL RETESTING.



DANGER

ALWAYS ASSUME A CONFINED SPACE WORK AREA IS CONTAMINATED UNTIL IT HAS BEEN PROVEN SAFE FOR WORK PERSONNEL. NEVER ENTER A CONFINED SPACE WORK AREA UNTIL IT HAS BEEN THOROUGHLY TESTED WITH APPROPRIATE GAS DETECTION EQUIPMENT AND PROVEN SAFE FOR WORK PERSONNEL.



DANGER

ALWAYS SHUT OFF THE FAN AND UNPLUG IT FROM ITS POWER SOURCE TO PREVENT ACCIDENTAL STARTING AND THE POSSIBILITY OF ELECTRICAL SHOCK AND/OR ELECTROCUTION. BE SURE THE FAN BLADE HAS STOPPED ROTATING BEFORE PLACING ANY OBJECTS OR FINGERS NEAR THE FAN GRILL.

Keep the Fan blade clean from debris. Accumulation of dust, dirt, paint etc on the Fan blade will throw the blade rotation out of balance resulting in damage.

DO NOT PRESSURE WASH THE FAN



DANGER

DO NOT OPERATE THE FAN WITHOUT THE INLET AND OUTLET GRILL PROPERLY IN PLACE

Do not allow anyone to operate the equipment without first reading the Operators Manual and becoming familiar with its operation.

PREPARATION

- Become familiar with Fans operation before utilising this Fan
- Confirm the Fan is in its original, factory configuration and has not been modified in any manner.
- Minors should not be allowed to operate the Fan.
- Guard against the possibility of back related injuries. Always lift the Fan with leg muscles and not with the back.
- Periodically inspect the Fan visually for damaged or worn parts
- Know how to STOP the Fan quickly in an emergency. Turn unit off at (on/off) switch located on side of unit or unplug Fan from power supply.

GENERAL SAFETY INFORMATION

These instructions are for your protection and convenience. Please read them carefully since failure to follow these precautions could result in discomfort or injury. When using electrical equipment, basic safety precautions should always be followed.

- Never put units into standing water because of the extreme shock hazard.
- Never allow air intake screens to be plugged.
- Never discharge flammable dry cleaning solvents or kerosene based chemicals through the air intake screens.
- Do not use in areas where flammable or combustible liquids such as gasoline may be present.
- Never put any object in the intake screen unless the unit is unplugged and the wheel has stopped.
- Never run the units outside when it is raining. Never store the units outdoors.
- Do not allow to be used as a toy. Close attention is necessary when used by or near children.
- Use units only with properly grounded outlet.
- Do not leave fan plugged in when not in use. Unplug from outlet when not in use and before servicing.
- Do not use with damaged cord or plug. If fan is not working as it should, because it has been dropped, damaged, left outdoors, or dropped into water, contact an Authorized Service Centre.
- Do not pull or carry by cord, use cord as a handle, close a door on a cord, or pull cord around sharp edges or corners. Keep cord away from heated surfaces.
- Do not unplug by pulling on cord. To unplug, grasp the plug not the cord.
- Do not handle plug or cord with wet hands.
- Do not put any objects into intake screens.
- Keep hair, loose clothing, fingers, and all parts of body away from intake screens.

NOTE: Do not allow any water inside motor! If motor becomes wet for any reason, thoroughly dry before using the units. Never remove the ground from the power cord, as this may result in electrical shock. This would also void warranty.



DANGER

THE FAN IS DESIGNED FOR PORTABLE AIR VENTILATION PURPOSES ONLY. THE FAN IS NOT DESIGNED FOR TRANSPORTING LIQUID OR SEMI-SOLID MATERIALS.

THE ELECTRIC MOTOR AND FAN HOUSING ARE NOT DESIGNED FOR OPERATION IN AN EXPLOSIVE OR FLAMMABLE ATMOSPHERE. OPERATION OF THE FAN IN AN EXPLOSIVE OR FLAMMABLE ATMOSPHERE MAY RESULT IN PROPERTY DAMAGE, PERSONAL INJURY OR EVEN DEATH.

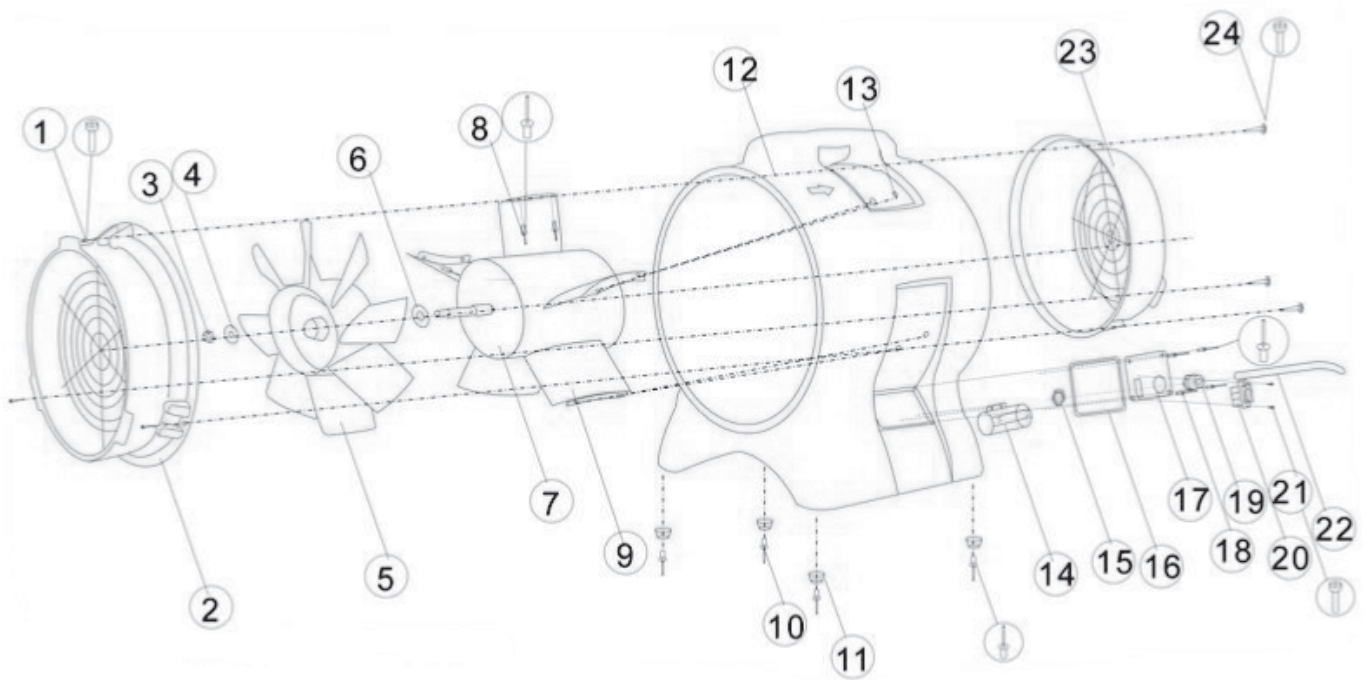
INCORRECT USE OF THE FAN CAN RESULT IN AN ELECTRICAL SHOCK AND/OR ELECTROCUTION. ALWAYS OPERATE THE FAN IN COMPLIANCE WITH HEALTH AND SAFETY AND NATIONAL ELECTRIC CODE REGULATIONS.



DANGER

INCORRECT USE OF THE FAN CAN RESULT IN PROPERTY DAMAGE, PERSONAL INJURY OR EVEN DEATH. TO REDUCE THIS RESPONSIBILITY; GIVE COMPLETE AND UNDIVIDED ATTENTION TO THE JOB AT HAND. AN ENVIRONMENTS ATMOSPHERE CONSTANTLY CHANGES, THEREFORE, IT'S RECOMMENDED THAT AIR MONITORING/GAS DETECTION EQUIPMENT BE USED FREQUENTLY. IF TESTS SHOW THAT THE ATMOSPHERE QUALIFIES AS A **HAZARDOUS LOCATION** (AN AREA WHERE THE POSSIBILITY OF EXPLOSION AND FIRE IS CREATED BY THE PRESENCE OF FLAMMABLE GASES, VAPOURS, DUST, OR FIBRES) **DO NOT USE THIS FAN.** READ AND UNDERSTAND THE FOLLOWING PREPARATION ITEMS AND GENERAL SAFETY INFORMATION.

PARTS LIST



Item	Qty.	Part Number	Description
1	3		Screw
2	1	AF-00C-M5A10354	Duct Ring, VAF 300 (12")
3	1	AF-00F-S4AN0008	3/8-16 Nylock Nut L/N 18-8ST
4	1	AF-00F-S5AN0007	3/8 Flat Washer 18-8 SS
5	1	AF-00M-P4A10238	12" Fan Blade, VAF 300
6	1	AF-00F-S5BN0204	1/16 Blade Backing Washer
7	1	AF-00M-N1A1-203(110)	1HP 110V 48 Frame Motor
	1	AF-00M-N1A1-203(230)	1HP 230V 48 Frame Motor
8	10	AF-00F-S2AN0041	Rivet 8-32 x 1/4" HWH Vane to Motor
9	5	AF-00C-M2A10361	Vane Motor Mount
10	4	GN-00C-RNN10006	Tempest/Axial Foot, Rivet
11	4	GN-00C-RNN10006	Tempest/Axial Foot, Foot
12	1	AF-00C-P4A20555	Fan Body
13	10	GN-00F-A1A10203	Aluminium Rivets
14	1	AF-00E-PNA10227(110V)	Capacitor, 3770 VAC/40UF (110V)
	1	AF-00E-PNA10227(230V)	Capacitor, 3770 VAC/10UF (230V)
15	1	AF-00E-PNN10015	Strain Relief-LQ TIGHT
16	1	AF-00C-R6A10360	Gasket, Switch Plate, VAF 300/400
17	1	AF-00C-M3A10359	Switch Plate, VAF 300/400
18	4	CF-00F-S2AN0003	#8x1/2" Phillips Pan Screw 18-8 SS
19	1	AF-00E-PNN10015	Strain Relief-LQ TIGHT
20	1	GN-00E-P3B10218	ON/OFF Rocker Switch, BLK
21	2		Screw
22	1	CF-00E-N4A10004	Power cord 20' 16/3 SJT-WA CEE
23	1	AF-00C-M5A10354	Duct Ring, VAF 300 (12")
24	3		Screw

TROUBLE SHOOTING

Problem	Cause	Solution
Unit will not run.	<ol style="list-style-type: none">1. No power to unit.2. Switch not on.3. Switch is faulty.4. Faulty/broken cord or motor wire.	<ol style="list-style-type: none">1. Plug unit in. Check circuit breaker.2. Place in "On position.3. Replace switch.4. Perform continuity check, using volt/amp meter. Repair/replace faulty broken wire.
Unit runs but fan makes loud scraping noise.	<ol style="list-style-type: none">1. Unit has been severely jolted causing fan to rub against housing.2. Unit has been severely jolted causing housing to deform.	<ol style="list-style-type: none">1. Remove motor and replace damaged motor mounts.2. Replace fan blade.
Unit runs but vibrates excessively.	<ol style="list-style-type: none">1. Severe jolt has bent motor shaft causing unit to be out of balance.2. Fan blade damaged.3. Dirt build up on side of fan blade.	<ol style="list-style-type: none">1. Remove and replace motor.2. Replace blade if necessary.3. Clean fan blade.
Unit runs but fan does not turn.	<ol style="list-style-type: none">1. Fan is jammed against housing.2. Capacitor wire has broken/come loose, capacitor has failed.3. Housing has been damaged such that it presses on fan blade.	<ol style="list-style-type: none">1. Remove motor and replace damaged motor mounts. Replace fan blade if necessary.2. Repair/replace wires/capacitor as necessary.3. Replace housing/unit as necessary.
Unit runs briefly, then shuts off on overload.	<ol style="list-style-type: none">1. Motor bearings are failing or motor has developed an internal electrical fault.2. Intake grill and/or exhaust grill is obstructed.3. Excessive duct length.	<ol style="list-style-type: none">1. Replace motor.2. Remove obstruction.3. Reduce duct length to recommended maximum.