

BE16

EN

OPERATING MANUAL  
VOLTAGE DETECTOR



 TROTTEC

**Table of contents**

Notes regarding the operating manual..... 1

Safety ..... 1

Information about the device..... 2

Transport and storage..... 3

Operation ..... 3

Maintenance and repair ..... 5

Disposal ..... 5

**Notes regarding the operating manual**

**Symbols**



**Warning of electrical voltage**

This symbol indicates dangers to the life and health of persons due to electrical voltage.



**Warning**

This signal word indicates a hazard with an average risk level which, if not avoided, can result in serious injury or death.



**Caution**

This signal word indicates a hazard with a low risk level which, if not avoided, can result in minor or moderate injury.

**Note**

This signal word indicates important information (e.g. material damage), but does not indicate hazards.



**Info**

Information marked with this symbol helps you to carry out your tasks quickly and safely.



**Follow the manual**

Information marked with this symbol indicates that the operating manual must be observed.

You can download the current version of the operating manual and the EU declaration of conformity via the following link:



BE16



<https://hub.trotec.com/?id=41858>

**Safety**

**Read this manual carefully before starting or using the device. Always store the manual in the immediate vicinity of the device or its site of use!**



**Warning**

**Read all safety warnings and all instructions.**

Failure to follow the warnings and instructions may result in electric shock, fire and / or serious injury.

**Save all warnings and instructions for future reference.**

This appliance can be used by children aged from 8 years and above and persons with reduced physical, sensory or mental capabilities or lack of experience and knowledge if they have been given supervision or instruction concerning use of the appliance in a safe way and understand the hazards involved.

Children shall not play with the appliance. Cleaning and user maintenance shall not be made by children without supervision.

- Do not use the device in potentially explosive rooms.
- Do not use the device in aggressive atmosphere.
- Protect the device from permanent direct sunlight.
- Do not remove any safety signs, stickers or labels from the device. Keep all safety signs, stickers and labels in legible condition.
- Do not open the device with a tool.
- Observe the storage and operating conditions as given in the Technical data chapter.

**Intended use**

Only use the device for detecting alternating voltages whilst adhering to the technical data.

To use the device for its intended use, only use accessories and spare parts which have been approved by Trotec.

## Improper use

The device is not suitable for the accurate measurement of voltages. Do not try to detect direct current voltages with the device.

The device may not be used in potentially explosive atmospheres, when wet or very humid.

## Personnel qualifications

People who use this device must:

- be aware of the dangers that occur when working with electric devices in damp areas.
- have read and understood the operating manual, especially the Safety chapter.

## Residual risks



### Danger

Electric shock from insufficient insulation. Check the device for damages and proper functioning before each use.

If you notice damages, no longer use the device.

Do not use the device when the device or your hands are damp or wet!

Do not use the device when the battery compartment or the housing are open.



### Danger

Electric shock from contact with live parts. Do not touch any live parts. Secure neighbouring live parts by insulating them or switching them off.



### Warning

Risk of suffocation!

Do not leave the packaging lying around. Children may use it as a dangerous toy.



### Warning

The device is not a toy and does not belong in the hands of children.



### Warning

Dangers can occur at the device when it is used by untrained people in an unprofessional or improper way! Observe the personnel qualifications!



### Caution

Keep a sufficient distance from heat sources.

### Note

To prevent damages to the device, do not expose it to extreme temperatures, extreme humidity or moisture.

### Note

Do not use abrasive cleaners or solvents to clean the device.

## Information about the device

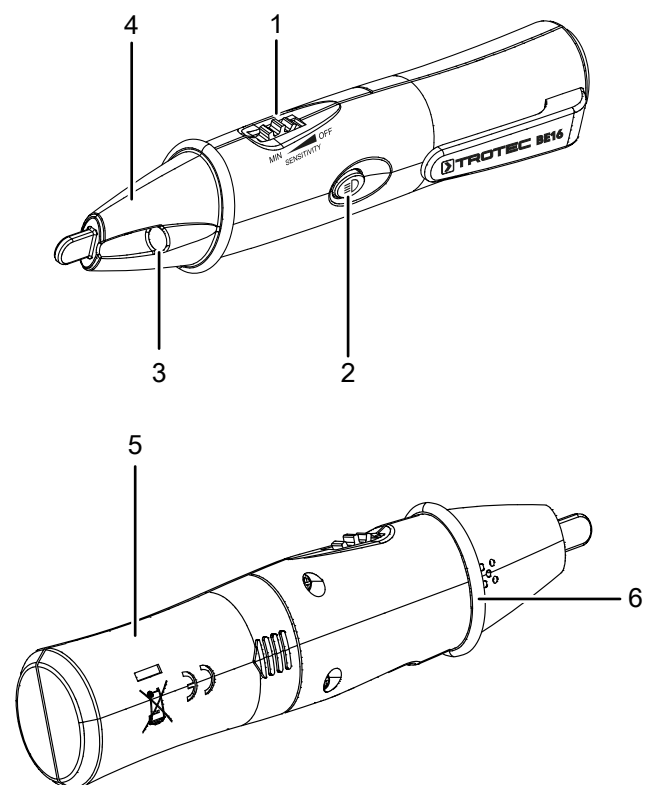
### Device description

The voltage detector BE16 detects alternating voltage (AC) and indicates it to the user via a flashing LED and an acoustic signal.

The device can be used for finding a cable break or determining the presence of alternating voltage in fuses, wires and cables.

Additionally the measuring device is equipped with an integrated LED torch.

### Device depiction



No.	Designation
1	Thumbwheel (switch-on/-off, regulation of the measurement sensitivity)
2	LED torch power button
3	LED torch
4	Measuring tip
5	Battery compartment
6	Protective collar

**Technical data**

Parameter	Value
Detection range	5 V AC to 1000 V AC
Overvoltage category	CAT IV 1000 V
Degree of pollution	2
Battery type	2 x 1.5 V battery AAA (Micro)
Weight	57 g
Surrounding conditions	0 °C to 40 °C with max. 85 % RH
Storage conditions	-10 °C to 60 °C with max. 85 % RH

**Scope of delivery**

- 1 x Voltage detector BE16
- 2 x 1.5 V battery AAA (Micro)
- 1 x Quick guide

**Transport and storage**

**Note**

If you store or transport the device improperly, the device may be damaged.  
 Note the information regarding transport and storage of the device.

**Transport**

For transporting the device use a suitable bag to protect it from external influences.

**Storage**

When the device is not being used, observe the following storage conditions:

- dry and protected from frost and heat
- protected from dust and direct sunlight
- with a cover to protect it from invasive dust if necessary
- The storage temperature is the same as the range given in the Technical data chapter.
- Remove the batteries from the device.

**Operation**

**Inserting the batteries**

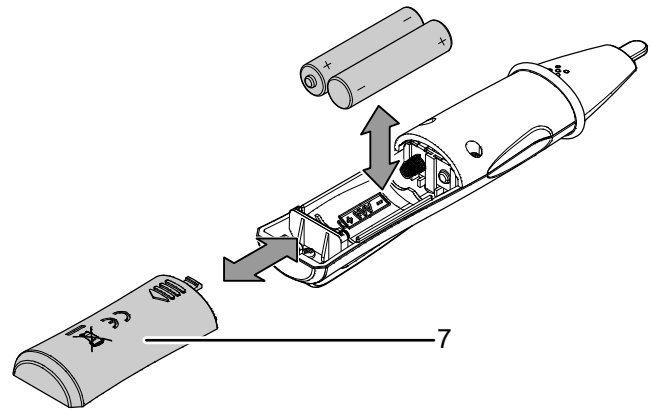
**Note**

Make sure that the surface of the device is dry and the device is switched off.

Insert the batteries contained in the scope of delivery (2 x 1.5 V AAA) before first use.

Please proceed as follows to insert the batteries into the device:

1. Pull the battery compartment cover (7) back.
2. Insert the batteries into the battery compartment (5) with correct polarity.
3. Slide the battery compartment cover (7) back onto the device and make sure that it clicks into place.



**Switching the device on**

1. Switch the device on by turning the thumbwheel (1) towards the measuring tip.
  - ⇒ Two brief beeps are emitted and the measuring tip (4) lights up twice in red.



**Info**

After switch-on, the device's measurement sensitivity is always set to the maximum of 5 V. Turning the thumbwheel (1) towards the measuring tip reduces the device's measurement sensitivity.

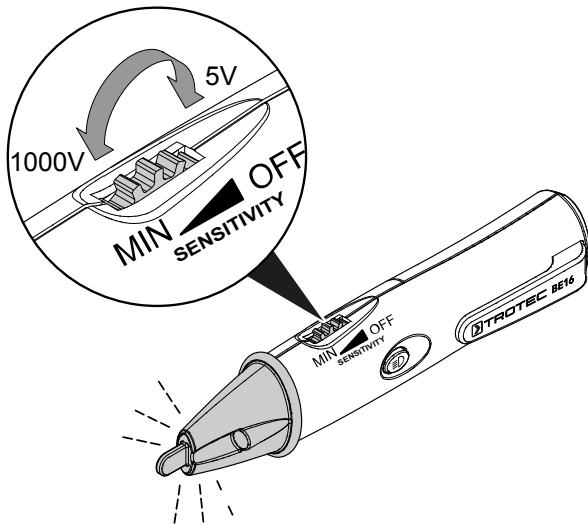
**Note**

The device cannot detect AC voltages below 5 V or above 1000 V.

**Setting the measurement sensitivity**

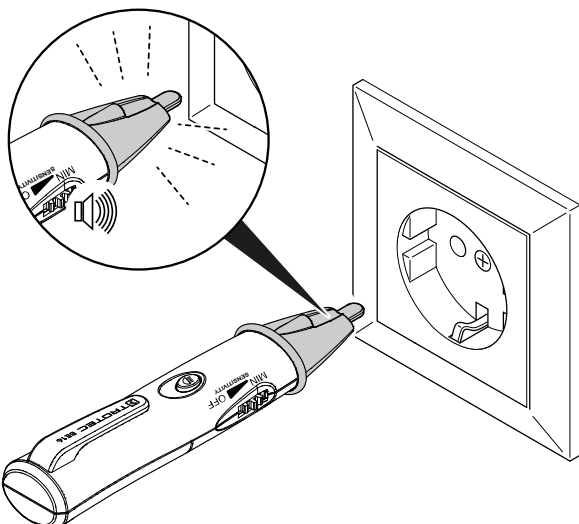
You can adjust the device's measurement sensitivity by means of the thumbwheel (1). The device can detect AC voltages between 5 V and 1000 V directly after switch-on.

Turn the thumbwheel (1) towards the measuring tip of the device in order to reduce the measurement sensitivity. If you have turned the thumbwheel towards the measuring tip all the way to the stop, the device's measurement sensitivity has been maximally reduced. Now the device can only detect AC voltages of up to 1000 V. With this sensitivity setting the device will no longer respond to low AC voltages.



#### Checking the device's functionality before measuring

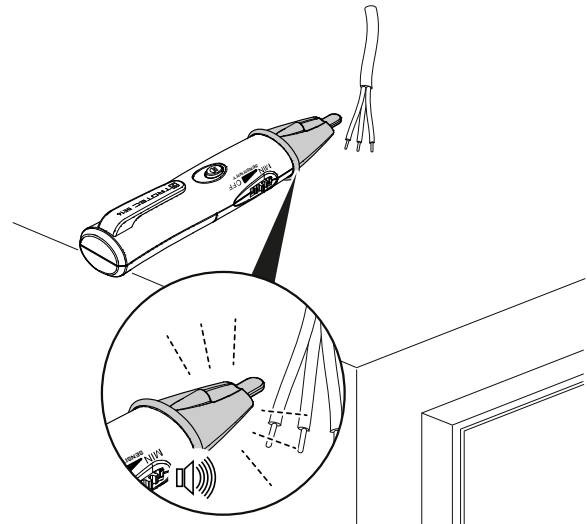
- ✓ Charged batteries have been inserted into the device.
- 1. Switch the device on.
  - ⇒ The measuring tip (4) flashes twice in red. Two acoustic signals will also be emitted.
  - ⇒ Afterwards the indicator LED briefly flashes twice at regular intervals, however, without acoustic signal. The indicator LED does not flash if the charging status of the inserted batteries is too low. If so, do not perform another measurement and change the batteries immediately!
  - ⇒ You can now use the device to detect AC voltages.
- 2. Check the voltage detector for proper functioning **before each measurement**. To do so, hold the measuring tip (4) to a known voltage source.



#### Detecting AC voltage

After successfully testing the device's functionality, you can use the device to detect AC voltages. To do so, please proceed as follows:

- ✓ Charged batteries have been inserted into the device.
- ✓ The device's functionality has been tested successfully.
- 1. Switch the device on.
- 2. Select the desired sensitivity level.
- 3. Hold the device near the AC voltage source to be measured.

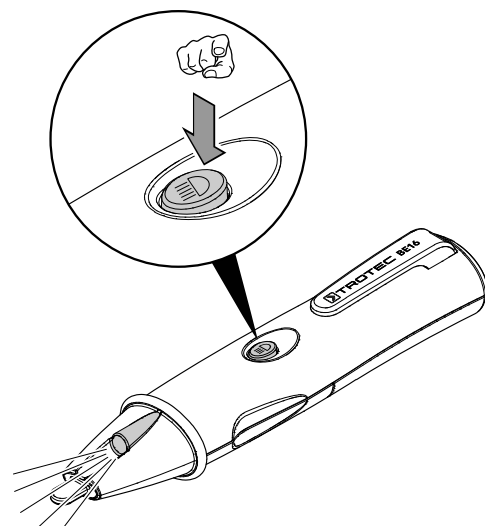


- ⇒ If there is an AC voltage within the selected sensitivity range present at the source, the measuring tip (4) will flash and a repetitive beep will be emitted.

#### Switching on the torch

Please proceed as follows to use the torch:

- ✓ Charged batteries have been inserted into the device.
- 1. Press and hold the LED torch power button (2).
  - ⇒ The LED torch (3) will be illuminated for as long as the LED torch power button (2) is pressed.
- 2. Let go of the LED torch power button (2) to switch off the LED torch.



## Maintenance and repair

### Battery change

A battery change is required when the device can no longer be switched on or the result of the function test is negative (see chapter Inserting the batteries).

### Cleaning

Clean the device with a soft, damp and lint-free cloth. Ensure that no moisture enters the housing. Do not use any sprays, solvents, alcohol-based cleaning agents or abrasive cleaners, but only clean water to moisten the cloth.

### Repair

Do not modify the device or install any spare parts. For repairs or device testing, contact the manufacturer.

## Disposal



The icon with the crossed-out waste bin on waste electrical or electronic equipment stipulates that this equipment must not be disposed of with the household waste at the end of its life. You will find collection points for free return of waste electrical and electronic equipment in your vicinity. The addresses can be obtained from your municipality or local administration. For further return options provided by us please refer to our website [www.trotec24.com](http://www.trotec24.com).

The separate collection of waste electrical and electronic equipment aims to enable the re-use, recycling and other forms of recovery of waste equipment as well as to prevent negative effects for the environment and human health caused by the disposal of hazardous substances potentially contained in the equipment.



Li-Ion

In the European Union, batteries and accumulators must not be treated as domestic waste, but must be disposed of professionally in accordance with Directive 2006/66/EC of the European Parliament and of the Council of 6 September 2006 on batteries and accumulators. Please dispose of batteries and accumulators according to the relevant legal requirements.



Trotec GmbH & Co. KG

Grebener Str. 7  
D-52525 Heinsberg

☎ +49 2452 962-400

☎ +49 2452 962-200

[info@trotec.com](mailto:info@trotec.com)

[www.trotec.com](http://www.trotec.com)