

TFV PRO 1

EN

ORIGINAL INSTRUCTIONS
RADIAL FAN



Table of contents

Notes regarding the instructions 2

Safety 2

Information about the device 4

Transport and storage 4

Assembly and installation 5

Operation 7

Available accessories 7

Errors and faults 8

Maintenance 9

Technical annex 10

Disposal 12

Declaration of conformity 12

Notes regarding the instructions

Symbols



Warning of electrical voltage

This symbol indicates dangers to the life and health of persons due to electrical voltage.



Warning

This signal word indicates a hazard with an average risk level which, if not avoided, can result in serious injury or death.



Caution

This signal word indicates a hazard with a low risk level which, if not avoided, can result in minor or moderate injury.

Note

This signal word indicates important information (e.g. material damage), but does not indicate hazards.



Info

Information marked with this symbol helps you to carry out your tasks quickly and safely.



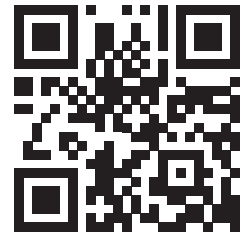
Follow the manual

Information marked with this symbol indicates that the instructions must be observed.

You can download the current version of the instructions and the EU declaration of conformity via the following link:



TFV PRO 1



<https://hub.trotec.com/?id=39587>

Safety

Read this manual carefully before starting or using the device. Always store the manual in the immediate vicinity of the device or its site of use.



Warning

Improper handling can lead to injuries due to parts being whirled up.

- Do not use the device in potentially explosive rooms or areas and do not install it there.
- Do not use the device in aggressive atmosphere.
- Only put up the device in an upright, stable position on firm ground.
- Let the device dry out after a wet clean. Do not operate it when wet.
- Make sure that the air inlet and outlet are not obstructed.
- Make sure that there are no loose items or dirt located in the immediate surroundings of air inlet and air outlet.
- Never insert any objects or limbs into the device.
- Do not cover the device during operation.
- Ensure that all electric cables outside of the device are protected from damage (e.g. caused by animals). Never use the device if electric cables or the power connection are damaged!
- If the supply cord is damaged, it must be replaced by the manufacturer, its service agent or similarly qualified persons in order to avoid a hazard.
- Only use connecting cables which are appropriate to the device power consumption, the length of its cable and its use. Avoid electrical overload.
- Connection cables must always be reeled off completely.
- Do not remove any safety signs, stickers or labels from the device. Keep all safety signs, stickers and labels in legible condition.

- Before carrying out maintenance, care or repair work on the device, remove the mains plug from the mains socket. Hold onto the mains plug while doing so.
- Only use original spare parts, for otherwise safe and functional operation cannot be ensured.

Intended use

Use the device for ventilation, air circulation or air transport whilst adhering to the technical data and the safety instructions. The device was designed for the generation of a powerful, large-volume air circulation, e.g. for the accelerated drying of buildings and rooms. The device can be operated in combination with different accessories.

The device may be used for drying carpets, buildings or screed as well as for the ventilation of poorly accessible intermediate spaces.

The device is intended to be used in commercial areas.

Foreseeable misuse

The radial fan is not suited for installation in fluids or on flooded or boggy grounds. Any unauthorised changes, modifications or alterations to the device are forbidden.

Any unauthorised changes, modifications or alterations to the device are forbidden.

Personnel qualifications

People who use this device must:

- have read and understood the instructions, especially the Safety chapter.

Residual risks



Warning of electrical voltage

Work on the electrical components must only be carried out by an authorised specialist company!



Warning

Dangers can occur at the device when it is used by untrained people in an unprofessional or improper way! Observe the personnel qualifications!



Warning

The device is not a toy and does not belong in the hands of children.



Warning

Risk of suffocation!

Do not leave the packaging lying around. Children may use it as a dangerous toy.



Caution

Risk of injury due to parts being whirled up by the strong air current.

Before switching the device on, make sure that there are no loose parts (clothing, hair etc.) located near the air inlet or outlet!



Caution

Risk of injury from parts being whirled up!

Before switching the device on, make sure that there are no loose parts (clothing, hair ...) located near the air inlet or outlet!

Note

Do not operate the device without an air filter inserted into the air inlet!

Without the air filter, the inside of the device will be heavily contaminated. This could reduce the performance and result in damage to the device.

Note

Do not use abrasive cleaners or solvents to clean the device.

Behaviour in the event of an emergency

1. In an emergency, disconnect the device from the mains feed-in: Switch the device off and disconnect it from the mains.
2. Remove persons from the danger area.
3. Do not reconnect a defective device to the mains.

Information about the device

Device description

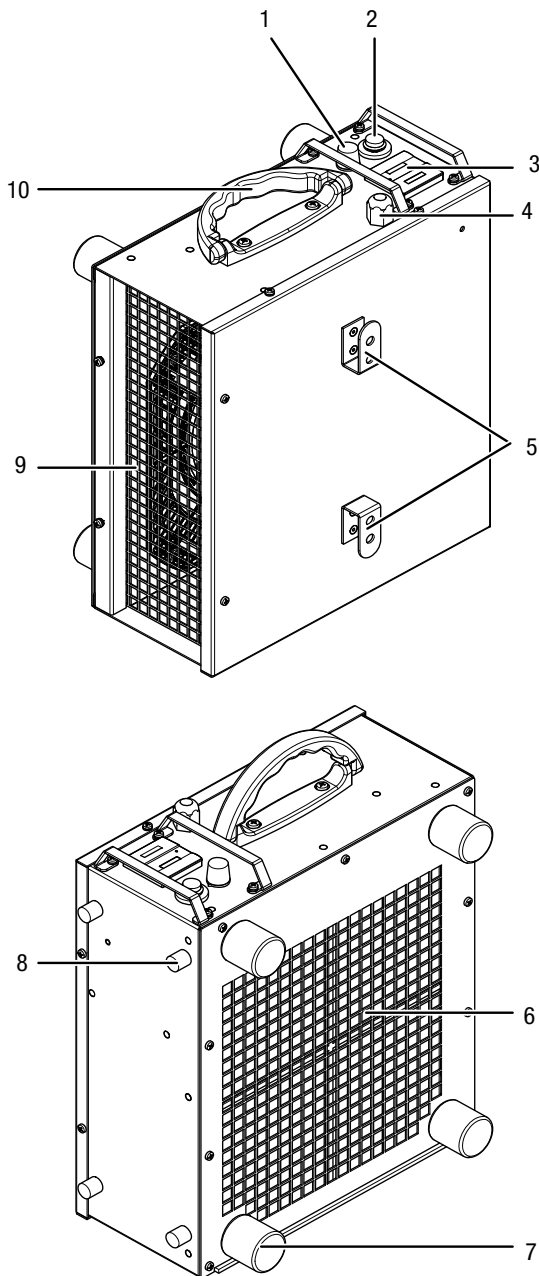
The radial fan TFV PRO 1 was designed for a high air volume flow, while being very space-saving.

It may be used for drying carpets, buildings or screed as well as for the ventilation of poorly accessible intermediate spaces.

The fan speed can be infinitely adjusted.

Using optionally available adapter plates (3, 8 or 12 connectors), you can fit hoses with various diameters to the device.

Device depiction



No.	Designation
1	Fan stage control dial
2	Power button
3	Counter for operating hours and kWh consumption
4	Power cable
5	Power cable holder
6	Air inlet
7	Feet, large – non-marking
8	Feet, small – non-marking
9	Air outlet
10	Transport handle

Transport and storage

Note

If you store or transport the device improperly, the device may be damaged.
 Note the information regarding transport and storage of the device.

Transport

To make the device easier to transport, it is fitted with a carry handle.

Storage

Before storing the device, proceed as follows:

- Switch off the device.
- Hold onto the mains plug while pulling the power cable out of the mains socket.
- Do not use the power cable to drag the device.

After transporting the device, proceed as follows:

- Place the device on its feet.

When the device is not being used, observe the following storage conditions:

- dry and protected from frost and heat
- in an upright position where it is protected from dust and direct sunlight
- with a cover to protect it from invasive dust, if necessary
- stackable: up to 5 devices on top of one another

Assembly and installation

Scope of delivery

- 1 x Device
- 1 x Air filter
- 1 x Manual

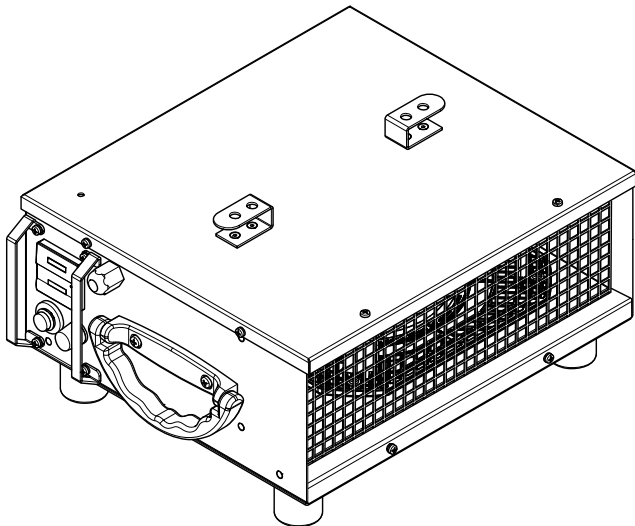
Unpacking the device

1. Open the cardboard box and take the device out.
2. Completely remove the packaging.
3. Fully unwind the power cable. Make sure that the power cable is not damaged and that you do not damage it during unwinding.

Start-up

- Place the device on its feet.

The device can either be set up on the large or on the small feet.



Inserting the air filter



Caution

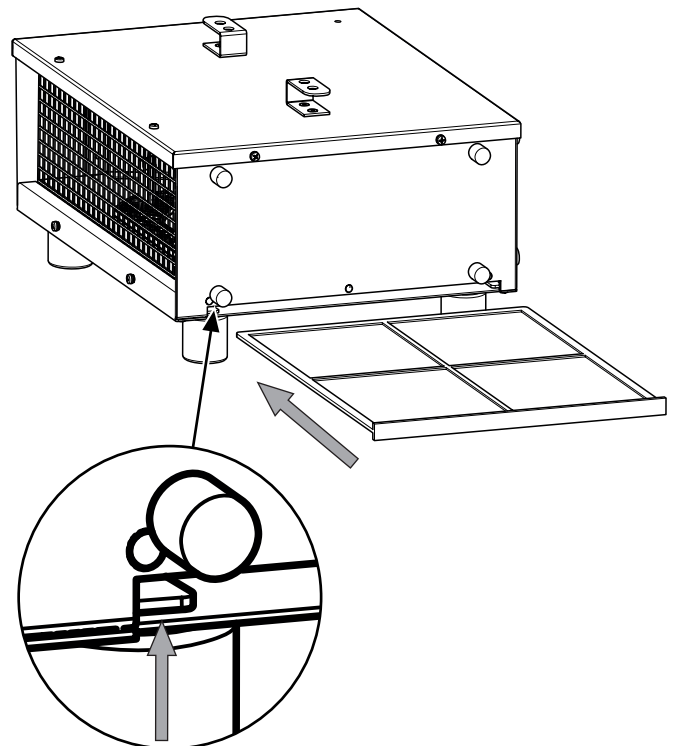
Risk of injury from parts being whirled up!

Before switching the device on, make sure that there are no loose parts (clothing, hair ...) located near the air inlet or outlet!

Note

Do not operate the device without an air filter inserted into the air inlet!

Without the air filter, the inside of the device will be heavily contaminated. This could reduce the performance and result in damage to the device.



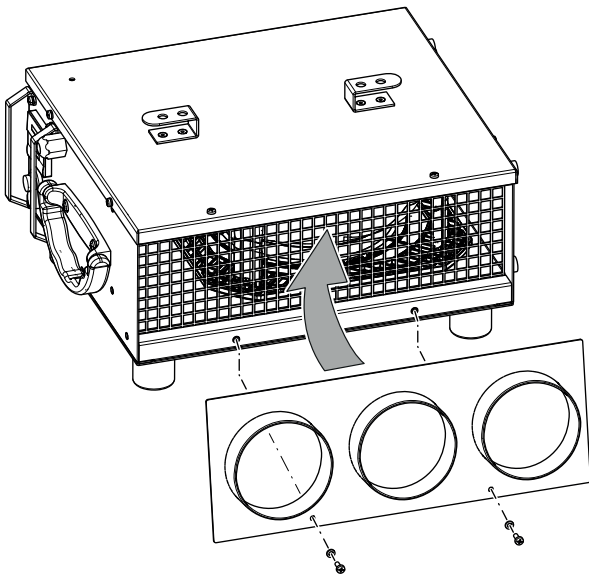
- Do not create tripping hazards when laying the power cable or other electric cables, especially when positioning the device in the middle of the room. Use cable bridges.
- Make sure that extension cables are completely unrolled.
- Make sure that no curtains or other objects interfere with the air flow.

Mounting an adapter plate (optional)

You can mount optionally available adapter plates for 3, 8 or 12 hose connectors to the device.

The adapter plate for 3 connectors is used as an example in the following. The adapter plates with 8 or 12 connectors are installed in the same way.

1. Loosen the two screws at the air outlet.
2. Slide the adapter plate in front of the air outlet from below. Pay attention to slide the adapter plate into the slot so that it fits properly.
3. Fasten the adapter plate with the two screws.



Connecting a hose (optional)

You can fit hoses to all connectors of the optionally available adapter plate.

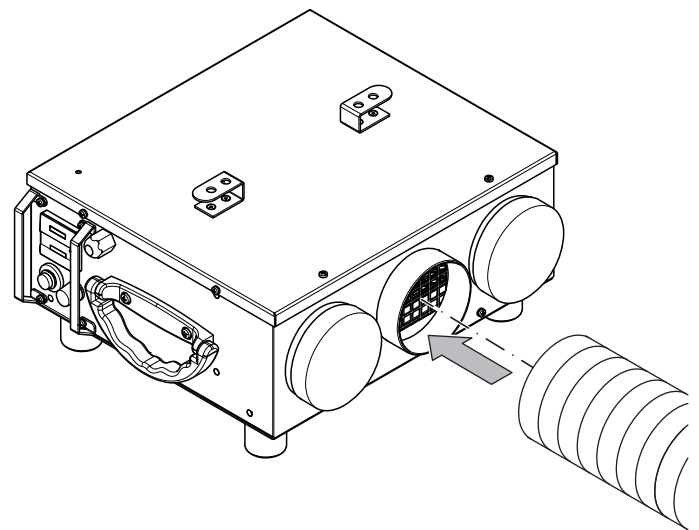
Connectors which are not used should be closed with the suitable sealing caps to avoid weakening the air current.

The adapter plate for 3 connectors is used as an example in the following. The hoses for the adapter plates with 8 or 12 connectors are connected in the same way.

In order to connect a hose, please proceed as follows:

1. Check the adapter plate for tight fit.
2. Connect the hose with the correct diameter to one of the hose connectors.

For improved fit of the hoses, use an appropriate hose clamp or cable tie.

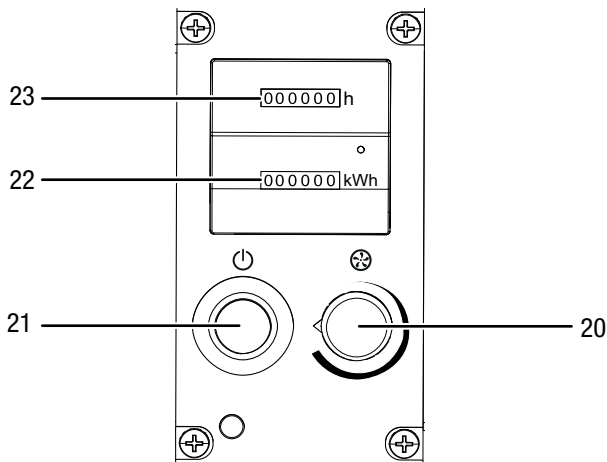


Connecting the power cable

- Insert the mains plug into a properly secured mains power socket.

Operation

Operating elements



No.	Designation
20	Fan speed rotary control
21	Power button
22	Kilowatt hours counter with LED
23	Operating hours counter

Switching the device on

1. Press the power button (21).
⇒ The power button (21) lights up.
2. Turn the rotary control (20) to the right until the fan starts running.



Info

You can read the number of operating hours from the operating hours counter (23) and the power consumption from the kilowatt hours counter (22) at all times. The LED at the kilowatt hours counter flashes when power is being consumed.

Fan speed

1. Set the desired fan speed using the rotary control (20).

Shutdown

1. Press the power button (21).
2. Wait until the fan has come to a standstill.
3. Remove the mains plug from the mains socket.
4. Clean the device according to the Maintenance chapter.
5. Store the device according to the Storage chapter.

Available accessories



Warning

Only use accessories and additional equipment specified in the operating manual. Using insertion tools or accessories other than those specified in the operating manual may cause a risk of injury.

Accessories	Article number
Adapter plate 3 x 100 mm, with sealing caps	6.100.005.069
Adapter plate 8 x 50 mm, with sealing caps	6.100.005.070
Adapter plate 12 x 38 mm, with sealing caps	6.100.005.071
Sealing cap set 12 x 38 mm	7.310.000.301
Sealing cap set 8 x 50 mm	7.310.000.302
Sealing cap set 3 x 100 mm	7.310.000.303
38 mm hose Tronect PV-A	6.100.001.010
50 mm hose Tronect PV-A	6.100.001.020
100 mm hose Tronect TF-L	6.100.001.115
Air filter	7.160.000.008

Errors and faults

The device has been checked for proper functioning several times during production. If malfunctions occur nonetheless, check the device according to the following list.



Warning of electrical voltage

Have the electric installation checked and, if required, defective parts replaced, but only by a qualified electrician.



Warning of electrical voltage

Maintenance tasks and repair work may only be performed by qualified electricians or Trotec.

The fan is not running:

- Check whether the unit is switched on.
- Check the power supply.
- Check the power cable and mains plug for damage. If you notice damages, do not try to take the device back into operation.

If the supply cord is damaged, it must be replaced by the manufacturer, its service agent or similarly qualified persons in order to avoid a hazard.

The fan operates only for a short time, then switches off automatically:

- Check the air inlet for dirt. Clean it if required.
- The motor bearing or cable connections might be defective. If so, contact Trotec or a specialist electrical company.
- Check the air filter for dirt. If necessary, clean or replace the air filter.

The motor or fan is noisy or runs unevenly:

- The fan is soiled. Clean the fan according to the Maintenance chapter.
- The fan is damaged. If so, contact Trotec or a specialist electrical company.
- The motor bearing might be damaged. If so, contact Trotec or a specialist electrical company.

The fan produces grinding noises:

- The fan blades are dirty or foreign objects are located in the rotation range of the fan. Clean the fan blades according to the Maintenance chapter.
- The fan blades might be damaged. If so, contact Trotec or a specialist electrical company.

The device vibrates heavily:

- Check the floor space of the fan. Position the device on a level and firm surface.
- There might be an imbalance in the fan blades. If so, contact Trotec or a specialist electrical company.

The air flow rate is low:

- Check the air inlet for dirt. Clean it if required.
- Check whether the hose connectors which are not needed are fitted with a sealing cap. Close hose connectors which are not used with a sealing cap if necessary.
- Check the air filter for dirt. If necessary, clean or replace the air filter.

Your device still does not operate correctly after these checks?

Please contact the customer service. If necessary, bring the device to an authorised specialist electrical company or to Trotec for repair.

Maintenance

Note

All service activities other than those specified in the maintenance table may only be performed by a specialist company authorized by Trotec.

Activities required before starting maintenance



Warning of electrical voltage

Do not touch the mains plug with wet or damp hands.

- Hold onto the mains plug while pulling the power cable out of the mains socket.



Warning of electrical voltage

Maintenance tasks and repair work may only be performed by qualified electricians or Trotec.

Cleaning the housing

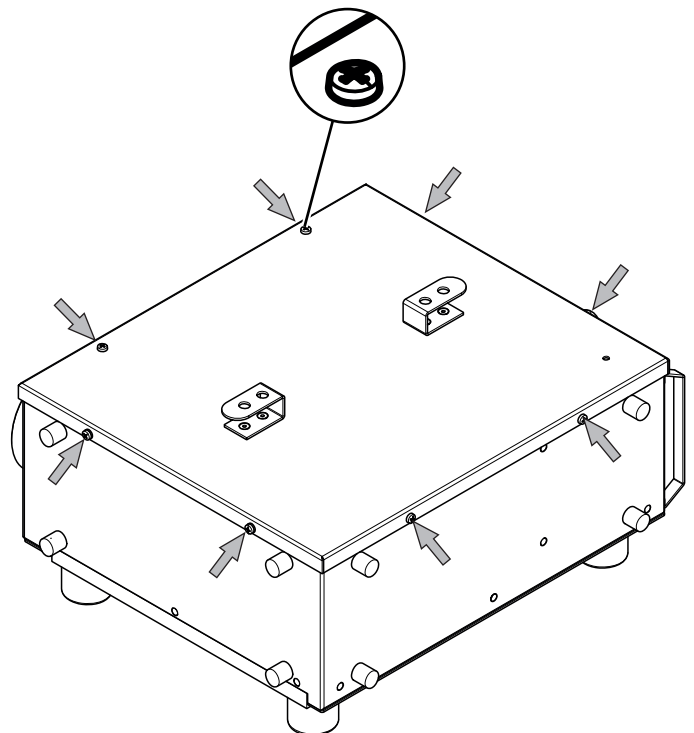
Clean the housing with a soft, damp and lint-free cloth. Make sure that no moisture enters the housing. Protect electrical components from moisture. Do not use any aggressive cleaning agents such as cleaning sprays, solvents, alcohol-based or abrasive cleaners to dampen the cloth.

Cleaning the fan

If the fan runs unevenly or produces grinding noises, it should be cleaned.

Should the problems persist after cleaning, contact Trotec or a specialist electrical company.

1. Open the upper cover of the housing by loosening the attachment screws.
2. Clean the inside of the housing and the fan blades carefully with a slightly damp cloth.
3. Allow the fan to dry.
4. Reattach the upper cover to the housing. Make sure that the cover is positioned correctly and that the seals fit exactly and are not damaged.
5. Screw the upper cover to the housing again.



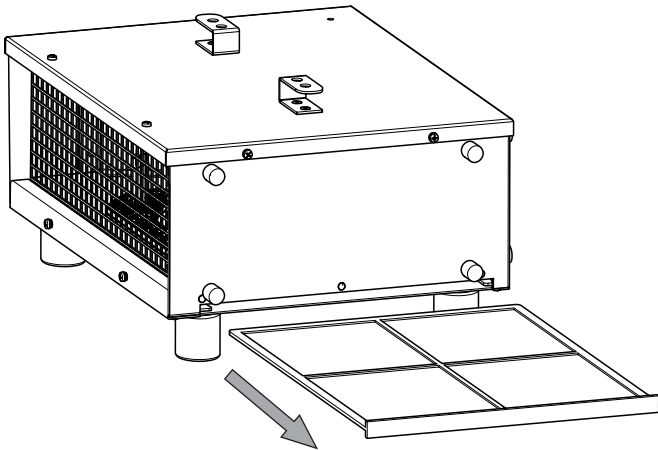
Cleaning the air filter

The air filter should be cleaned prior to every use.

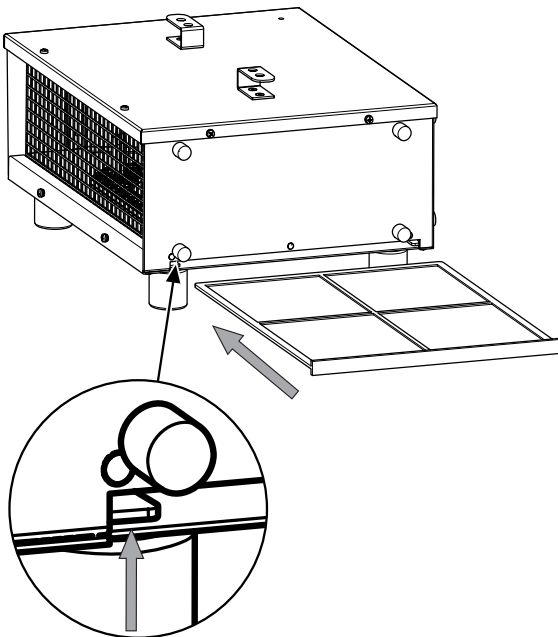
Note

Ensure that the air filter is not worn or damaged. The corners and edges of the air filter must not be deformed or rounded. Before reinserting the air filter, make sure that it is undamaged and dry!

1. Remove the air filter from the device.



2. Clean the filter using a slightly damp, soft, lint-free cloth. If the filter is heavily contaminated, clean it with warm water mixed with a neutral cleaning agent.
3. Allow the filter to dry completely. Do not insert a wet filter into the device!
4. Reinsert the air filter into the device. Make sure to slide the air filter into the lower guide rail.

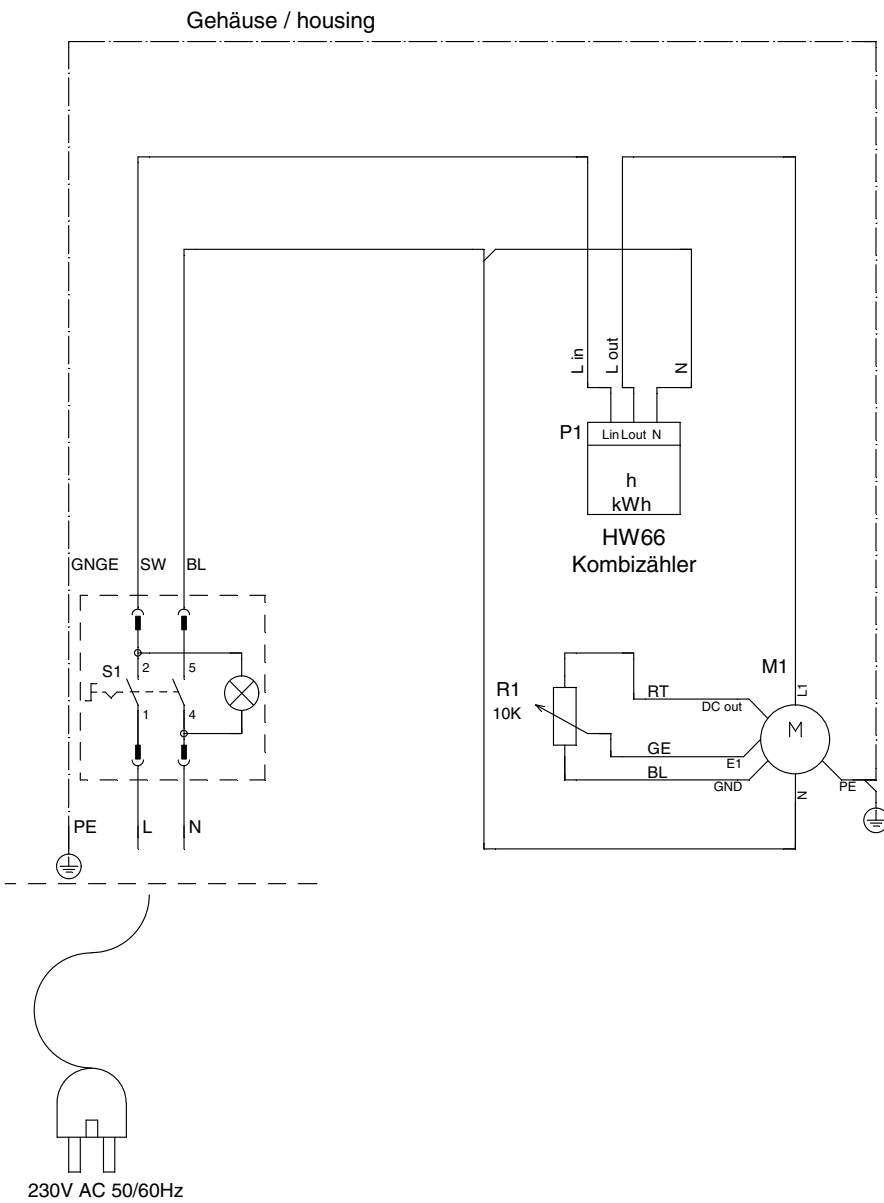


Technical annex

Technical data

Parameter	Value
Model	TFV PRO 1
Article number	1.510.003.001
Air volume (max. stage, freely blowing)	1,250 m ³ /h
Air pressure (max. stage)	1,050 Pa
Fan stages	Infinitely variable
Mains connection	1/N/PE~ 230 V / 50 Hz
Power consumption	170 W
Sound pressure level (distance 1.5 m)	73 dB(A)
Weight	6.0 kg
Dimensions (length x width x height)	355 mm x 430 mm x 235 mm

Wiring diagram



Aderfarben / wire colors
 sw = schwarz / black
 rt = rot / red
 ge = gelb / yellow
 gnge = gruen/gelb / green yellow
 bl = blau / blue

Disposal



The icon with the crossed-out waste bin on waste electrical or electronic equipment stipulates that this equipment must not be disposed of with the household waste at the end of its life. You will find collection points for free return of waste electrical and electronic equipment in your vicinity. The addresses can be obtained from your municipality or local administration. You can also find out about other return options that apply for many EU countries on the website <https://hub.trotec.com/?id=45090>. Otherwise, please contact an official recycling centre for electronic and electrical equipment authorised for your country.

The separate collection of waste electrical and electronic equipment aims to enable the re-use, recycling and other forms of recovery of waste equipment as well as to prevent negative effects for the environment and human health caused by the disposal of hazardous substances potentially contained in the equipment.

Declaration of conformity

Declaration of conformity in accordance with the EC Machinery Directive 2006/42/EC, Annex II, Part 1, Section A

We – Trotec GmbH – declare in sole responsibility that the product designated below was developed, constructed and produced in compliance with the requirements of the EC Machinery Directive in the version 2006/42/EC.

Product model / Product: TFV PRO 1

Product type: radial fan

Year of manufacture as of: 2018

Relevant EU directives:

- 2014/30/EU: 29/03/2014

Applied harmonised standards:

- EN 55014-1:2006
- EN 55014-1:2006/A2:2011
- EN 55014-2:1997
- EN 55014-2:1997/A2:2008
- EN 60335-1:2012/A13:2017
- EN 60335-2-65:2003
- EN 60335-2-65:2003/A11:2012
- EN 61000-3-2:2014
- EN 61000-3-3:2013

Applied national standards and technical specifications:

- None

Manufacturer and name of the authorised representative of the technical documentation:

Trotec GmbH
Grebbeener Straße 7, D-52525 Heinsberg
Phone: +49 2452 962-400
E-mail: info@trotec.de

Place and date of issue:

Heinsberg, 01.06.2016

Detlef von der Lieck, Managing Director

Trotec GmbH

Grebener Str. 7
D-52525 Heinsberg

☎ +49 2452 962-400

☎ +49 2452 962-200

✉ info@trotec.com

www.trotec.com